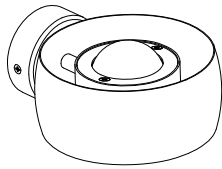
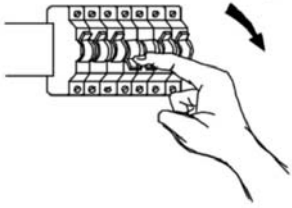


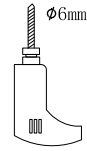
A

OFF



x1

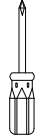
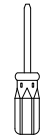
98706



x2

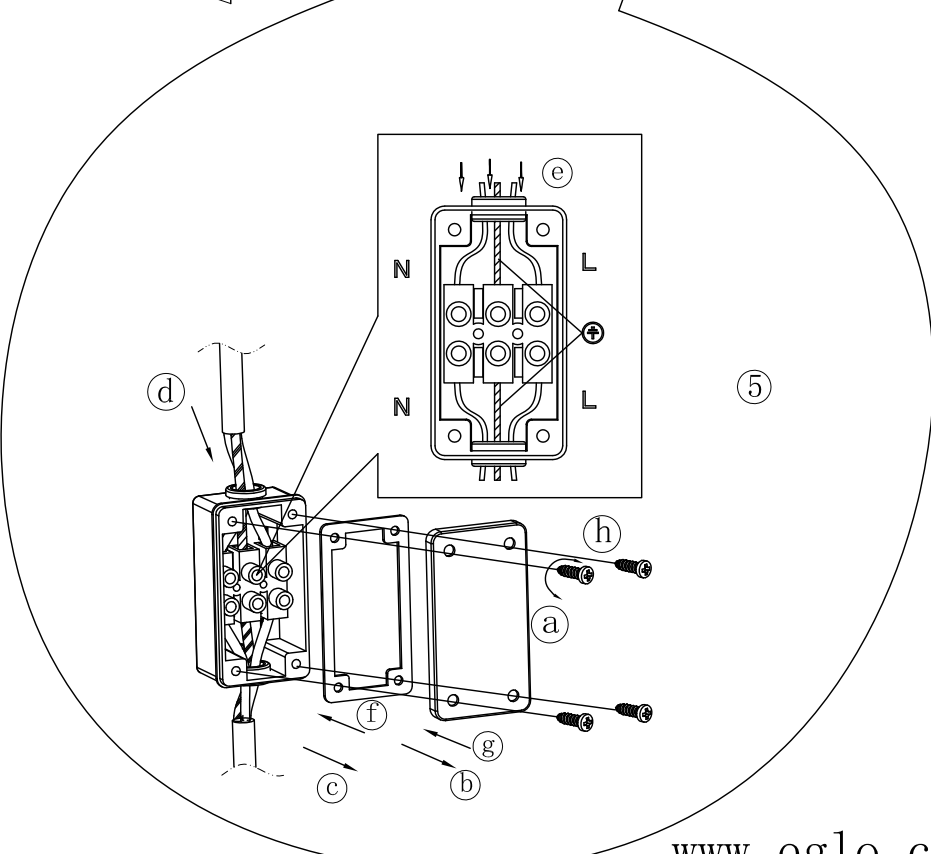
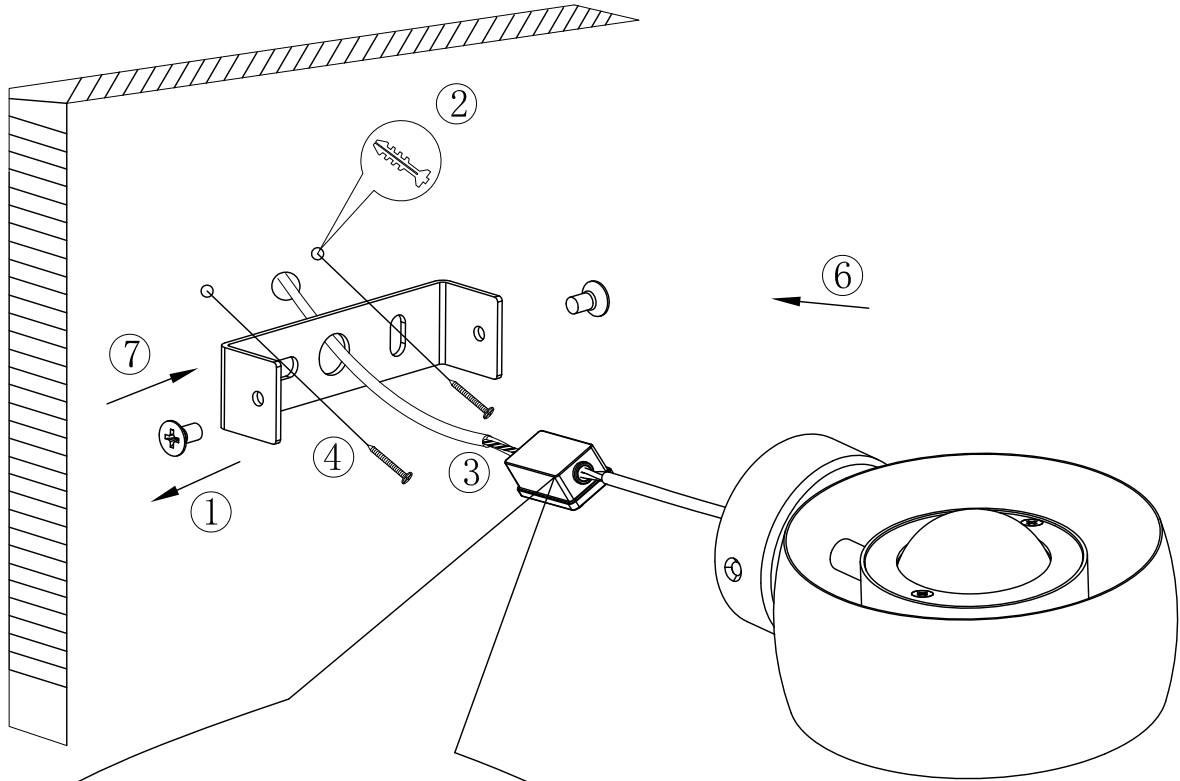


x2



Not included

B



C

ON

