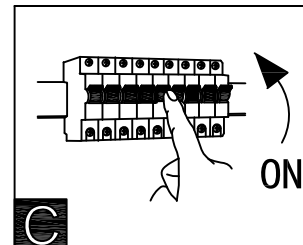
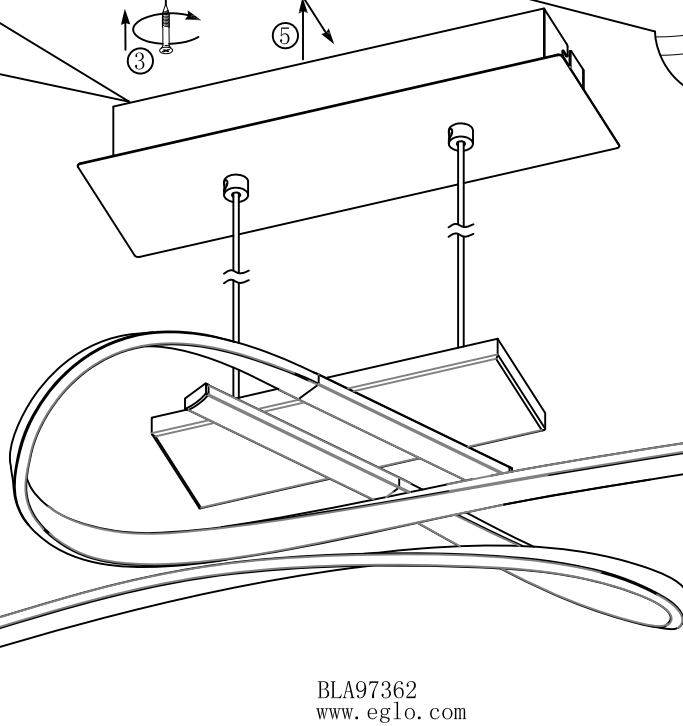
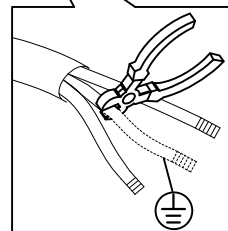
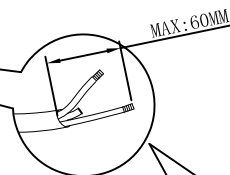
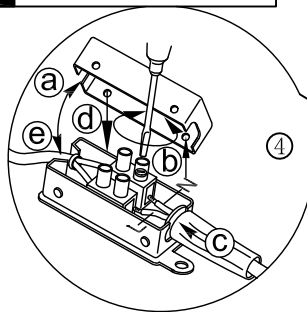
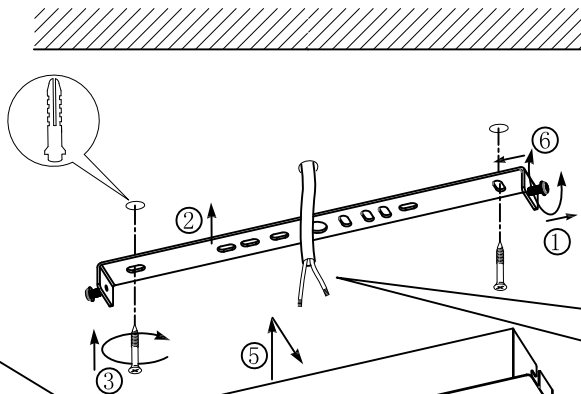
**A****B****C**

BLA97362  
www.eglo.com